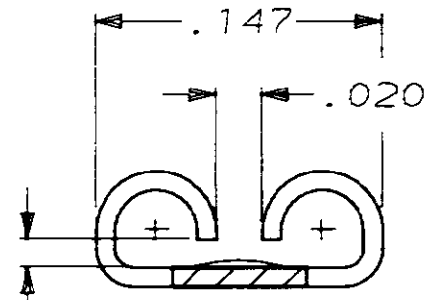
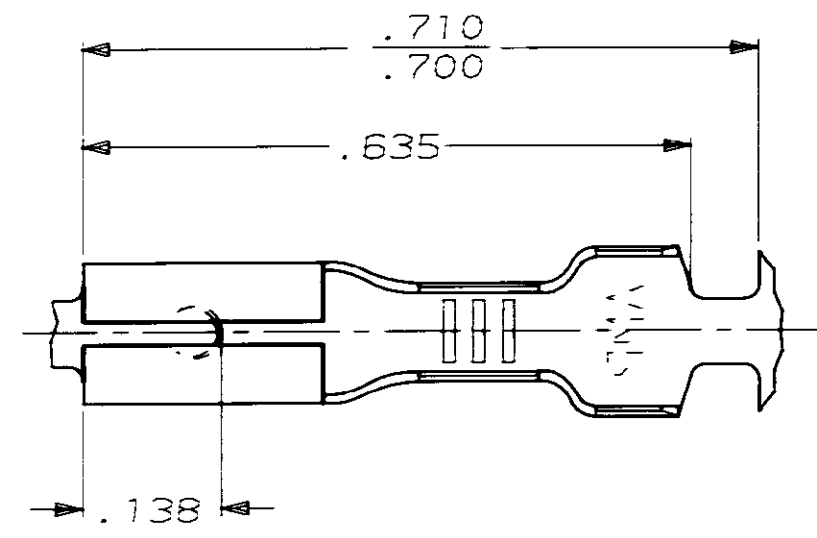


THIS DRAWING IS UNPUBLISHED. RELEASED FOR PUBLICATION .19
 © COPYRIGHT 19 BY AMP INCORPORATED. ALL INTERNATIONAL RIGHTS RESERVED.

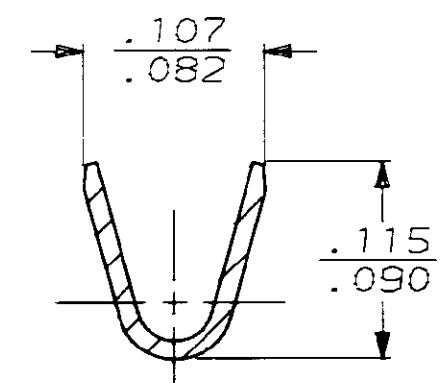
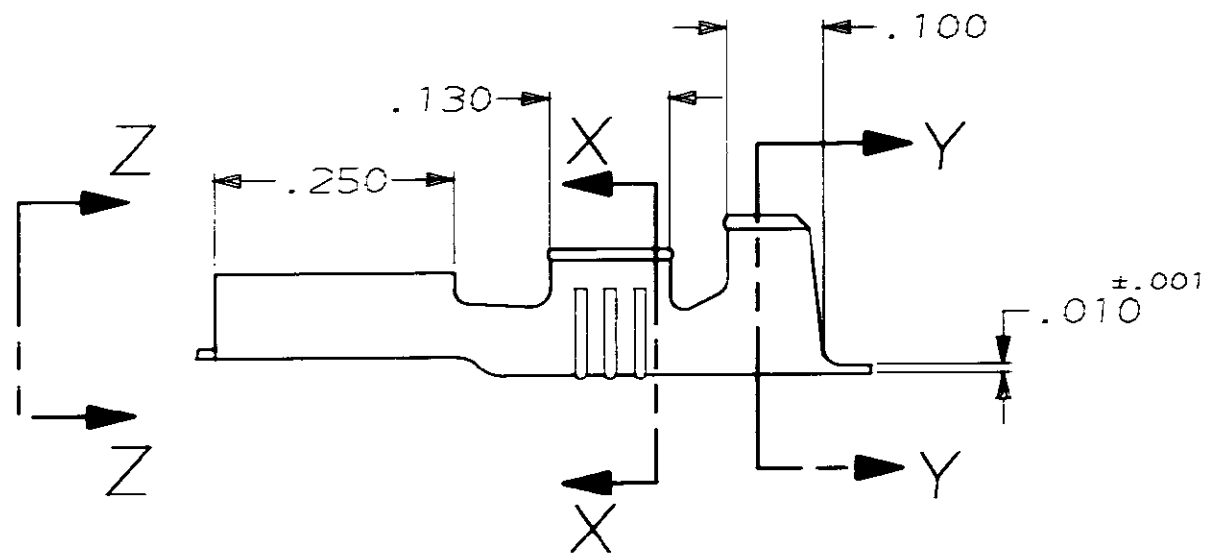
LOC	DIST	P	F	ZONE	LTR	REVISIONS	DATE	APPD
AF	50				E	REDRAWN AF-7175	12/20/90	JR/MS



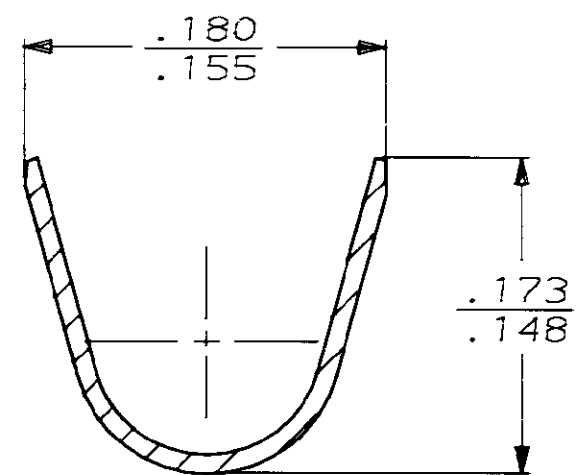
FITS .110 SERIES FASTON TABS

VIEW Z-Z
SCALE 10:1

1 CONTINUOUS STRIP ON REELS



SECTION X-X
SCALE 10:1



SECTION Y-Y
SCALE 10:1

.090-.130	22-18 AWG	.016	62523-1	
INSUL RANGE	WIRE SIZE	MATING TAB THK ±.001	PART NO	
DO NOT SCALE PRINT. UNLESS SPECIFIED DIMENSIONS ARE IN INCHES TOLERANCES ON: 2 PLC DEC ± - 3 PLC DEC ± .015 ANGLES ± -	DR 12/20/90 JR RUTH	AMP AMP Incorporated Harrisburg, PA 17105-3608		
	CHK 12/20/90 MS FEHER			
	APPD 12/21/90 C MEYERS	NAME RECEPTACLE, FASTON, .110 SERIES		
	APPD 12/21/90 D REJNER			
MATERIAL #4H BRASS	PRODUCT SPEC -	SIZE B	CASE CODE 00779	DRAWING NO 62523
FINISH PRE-TIN	APPLICATION SPEC -	WEIGHT -	SCALE 5:1	SHEET 1 OF 1